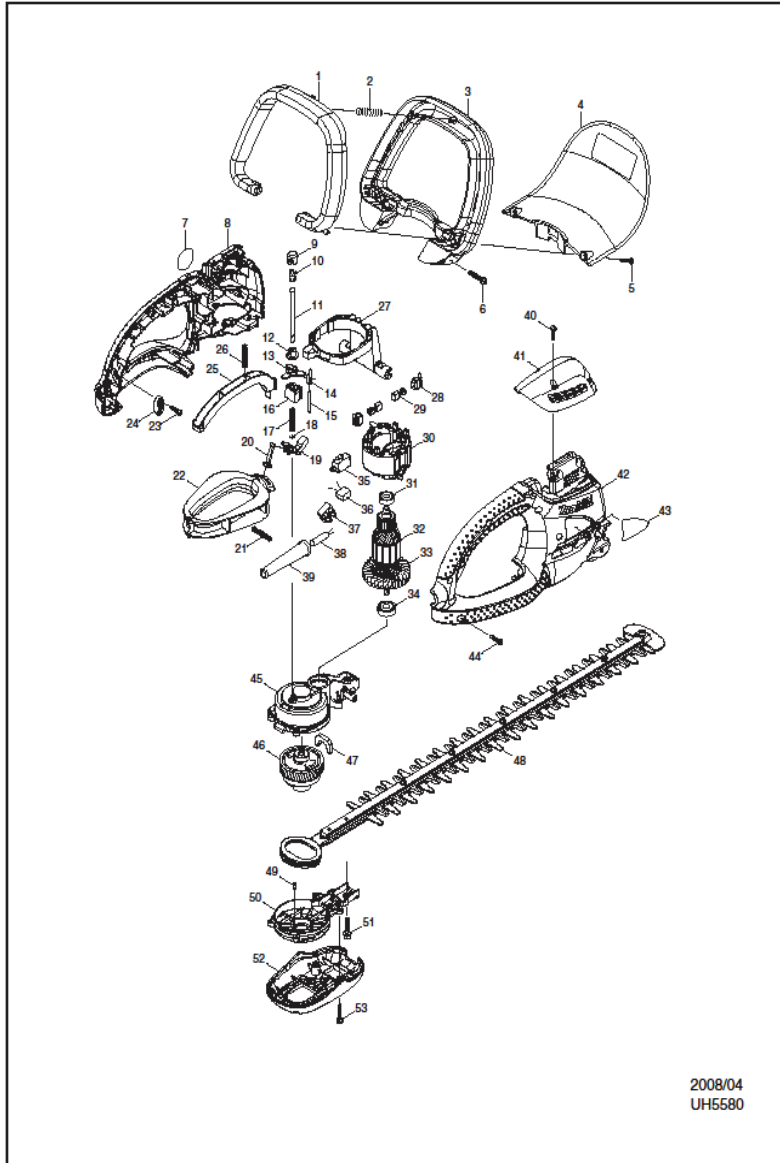


# UH5580



2008/04  
UH5580

REF.	CODE	DESCRIPTION	UNIT	LIST	REF.	CODE	DESCRIPTION	UNIT
1	450444-8	SWITCH LEVER B	PC					
2	233157-4	COMPRESSION SPRING 9		PC				
3	450442-2	FRONT GRIP	PC					
4	158629-7	PROTECTOR COMPL	PC					
5	265995-6	TAPPING SCREW 4X18		PC				
6	911253-5	PAN HEAD SCREW M5X30		PC				
8	188569-5	HOUSING SET	SET					
D10		INC. 42						
9	417740-7	INSULATION CAP	PC					
10	233288-9	COMPRESSION SPRING 8		PC				
11	268077-3	PIN 5	PC					
12	417727-9	CAP HOLDER	PC					
13	417736-8	LIFTER	PC					
14	417735-0	PUSHER CAP	PC					
15	268078-1	PIN 3	PC					
16	417781-3	PIN HOLDER	PC					
17	233156-6	COMPRESSION SPRING 5		PC				
18	257934-0	STOP RING E-4	PC					
19	417737-6	LINK	PC					
20	417739-2	ROD	PC					
21	233156-6	COMPRESSION SPRING 5		PC				
22	417731-8	SWITCH LEVER C	PC					
23	265995-6	TAPPING SCREW 4X18		PC				
24	687063-9	STRAIN RELIEF	PC					
25	450443-0	SWITCH LEVER A	PC					
26	233156-6	COMPRESSION SPRING 5		PC				
27	417738-4	LEVER	PC					
28	643936-6	BRUSH HOLDER	PC					
29	191962-4	CARBON BRUSH CB-419		PC				
30	634578-7	FIELD 220-240V	PC					
31	211032-4	BALL BEARING 608ZZ		PC				
32	516499-4	ARMATURE ASSY 220-240V		PC				
D10		INC. 313334						
33	241858-0	FAN 70	PC					
34	211062-5	BALL BEARING 6000ZZ		PC				
35	650522-6	SWITCH	PC					
36	645185-1	NOISE SUPPRESSOR	PC					
37	654531-7	TERMINAL BLOCK 2PPC		PC				
38	668602-4	POWER SUPPLY CORD		PC				
39	682503-2	CORD GUARD 8-90	PC					
40	265995-6	TAPPING SCREW 4X18		PC				
41	440445-6	TOP COVER		PC				
42	188569-5	HOUSING SET	SET					
D10		INC. 8						
43	865791-8	NAME PLATE	PC					
44	265995-6	TAPPING SCREW 4X18		PC				
45	318257-2	GEAR HOUSING	PC					
46	135217-7	GEAR ASSEMBLY	PC					
47	443142-1	DUST GARD		PC				
48	194671-4	SHEAR BLADE ASSY SET		SET				
C10	252184-2	HEX LOCK NUT M5-8	PC					
C20	257717-8	SLEEVE 5	PC					
C30	265181-9	TRUSS HEAD SCREW		PC				
C40	345205-8	BRUNCH CATCHER	PC					
C50	911208-0	PAN HEAD SCREW M5X10		PC				
C60	188605-7	OIL VESSEL SET	PC					
49	263002-9	RUBBER PIN 4	PC					
50	318265-3	GEAR HOUSING COVER		PC				
51	265182-7	PAN HEAD SCREW M5X25		PC				
52	450440-6	UNDER COVER	PC					
53	911148-2	PAN HEAD SCREW M4X25		PC				
A01	194677-2	CORD HOLDER COMPL SET		SET				
A02	158024-1	HOOK COMPLETE	PC					
A03	450489-6	BLADE COVER	PC					
A04	668601-6	EXTENSION CORD	PC					